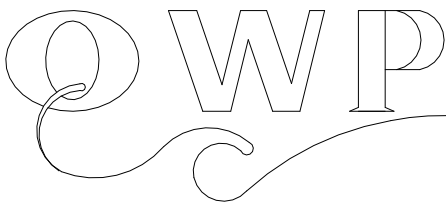


TEAM



Quality Water Products

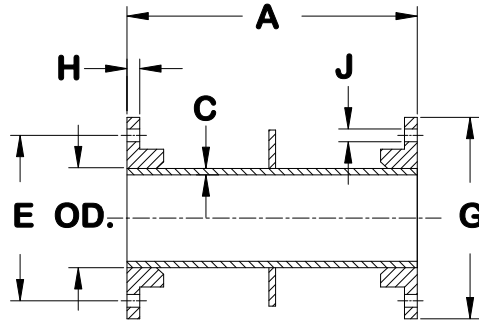
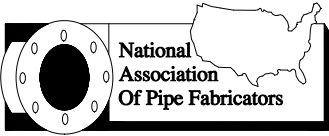
Bus. 978-355-6833

25 TOWN FARM RD.

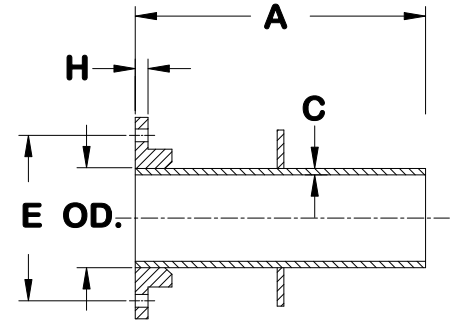
SOUTH BARRE MA Fax. 978-355-6140

WWW.qwater.com

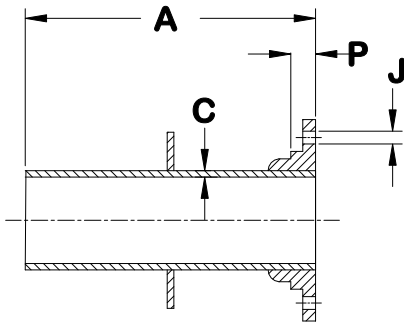
One of the Prescott Companies



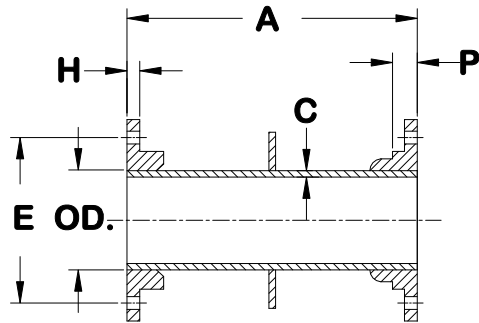
FLG. X FLG.



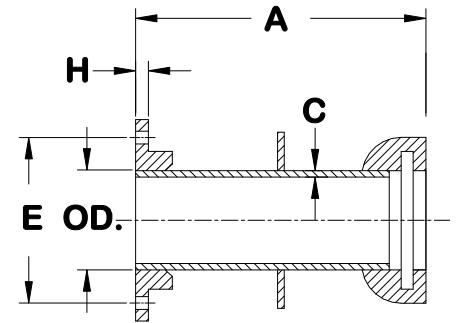
FLG. X PE.



MJ. X PE.



FLG. X MJ.



FLG. X PJ.

DUCTILE IRON WALL PIPE

| NOM PIPE SIZE | A | C | OD. | | E | G | H | | NO.OF FLG. BOLT HOLES | J | P |
|---------------|--|-------|-------|-------|-------|-------|-------|------|-----------------------|--------|--------|
| | | | MIN. | MAX. | | | MIN. | MAX. | | | |
| 3" | A S R E Q U I R E D | 0.31 | 3.00 | 4.02 | 6.00 | 7.50 | 0.63 | 0.87 | 4 | 3/4" | 2-1/2" |
| 4" | | 0.32 | 4.74 | 4.86 | 7.50 | 9.00 | 0.82 | 1.06 | 8 | 3/4" | 2-1/2" |
| 6" | | 0.34 | 6.84 | 6.96 | 9.50 | 11.00 | 0.88 | 1.12 | 8 | 7/8" | 2-1/2" |
| 8" | | 0.36 | 8.99 | 9.11 | 11.75 | 13.50 | 1.00 | 1.24 | 8 | 7/8" | 2-1/2" |
| 10" | | 0.38 | 11.04 | 11.16 | 14.25 | 16.00 | 1.07 | 1.31 | 12 | 1" | 2-1/2" |
| 12" | | 0.40 | 13.14 | 13.26 | 17.00 | 19.00 | 1.13 | 1.37 | 12 | 1" | 2-1/2" |
| 14" | | 0.42 | 15.22 | 15.35 | 18.75 | 21.00 | 1.19 | 1.57 | 12 | 1-1/8" | 3-1/2" |
| 16" | | 0.43 | 17.32 | 17.45 | 21.25 | 23.50 | 1.25 | 1.63 | 16 | 1-1/8" | 3-1/2" |
| 18" | | 0.44 | 19.42 | 19.55 | 22.75 | 25.00 | 1.37 | 1.75 | 16 | 1-1/4" | 3-1/2" |
| 20" | | 0.45 | 21.52 | 21.65 | 25.00 | 27.50 | 1.50 | 1.88 | 20 | 1-1/4" | 3-1/2" |
| 24" | 0.47 | 25.72 | 25.85 | 29.50 | 32.00 | 1.69 | 2.07 | 20 | 1-3/8" | 3-1/2" | |
| 30" | 0.51 | 31.92 | 32.05 | 36.00 | 38.75 | 1.87 | 2.375 | 28 | 1-3/8" | 4" | |

NOTES:

PIPE- DUCTILE IRON CLASS 53 PER ANSI A21.10,A21.50,A21.51,AWWA C110,C150,C151.

FLANGES- DUCTILE IRON 125# DRILLING THREADED ON PER ANSI A21.15-83,AWWA C115.

COATING- STANDARD IS DOUBLE CEMENT LINE PER ANSI A21 4,AWWA C104; OTHER COATINGS AVAILABLE.

LINING- STANDARD IS BITUMINOUS 1 MILL THICKNESS; OTHER LININGS AVAILABLE ON REQUEST.

WATERSTOPS- WATERSTOPS ARE STANDARD 3/8" THICK BY 2" HIGH AND ARE CONTINUOUSLY WELDED ON ONE SIDE TACK WELDED ON THE OTHER UNLESS OTHERWISE SPECIFIED

FLANGES CAN ALSO BE SUPPLIED 250# DRILLED